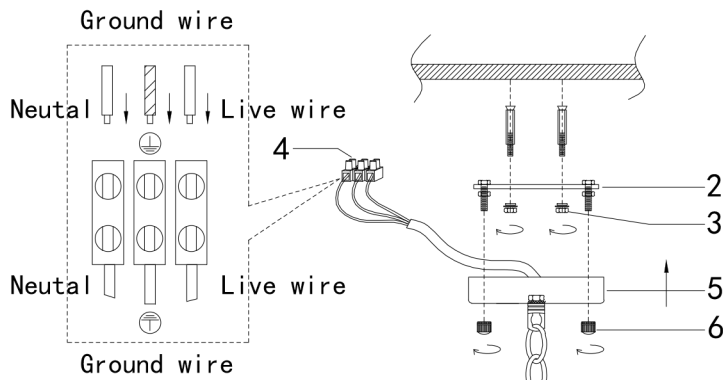


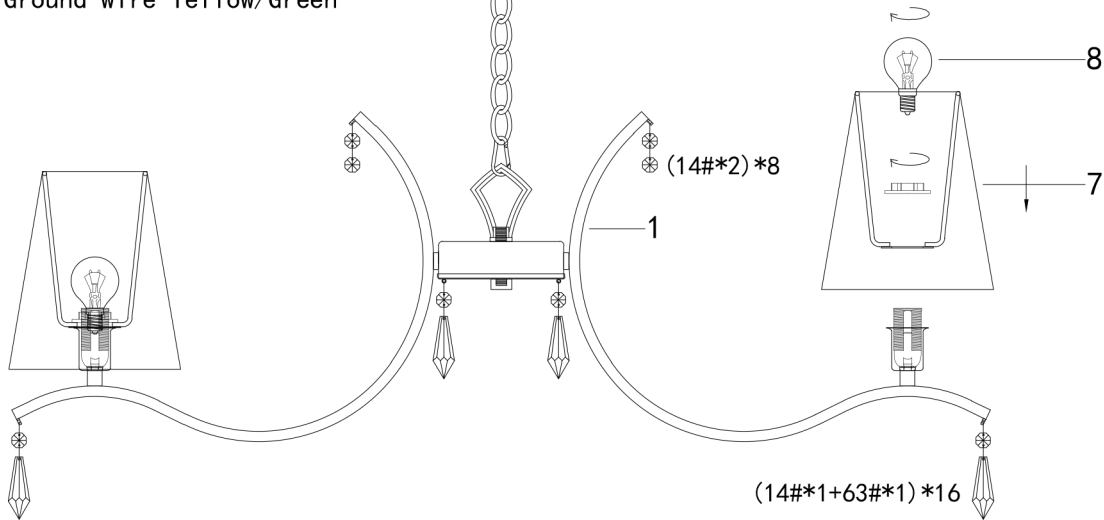
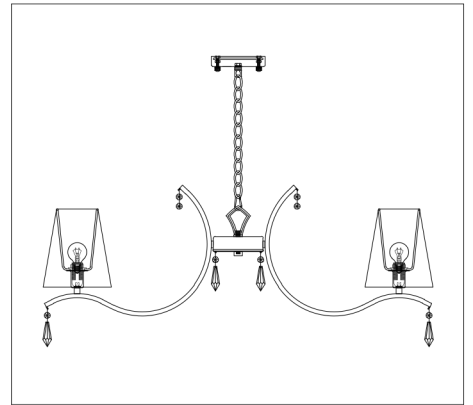
Specification of installation

In order to ensure safety use, please notice the following items:

- Read and understand the whole Specification.
- Suitable for the use of 220 ~ 240V and 50 ~ 60Hz.
- Please wear gloves as installment and avoid rot on the surface of plating.
- Must be installed on the fixed places and be checked annually.
- Please turn off the lighting source by soft cloth as cleaning prohibited to use of rotted detergent.
- Please connect with the local sales service center when there are any abnormality.




Live wire-Brown  
 Neutral-Blue  
 Ground wire-Yellow/Green



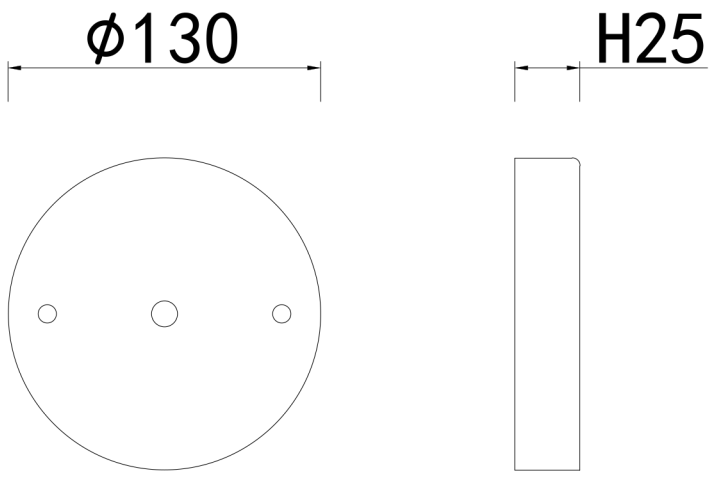
- 1 Tubing
- 2 Mounting
- 3 Screw
- 4 Terminal
- 5 Ceiling
- 6 Round nuts
- 7 Cover
- 8 E14 bulb

14#\*32pcs  9 Crystal

63#\*16pcs  10 Crystal

Product coding: RENATA SP8

**BASE SIZE:**



**FIXTURE SIZE:**

